

WORKTABLE KANTE

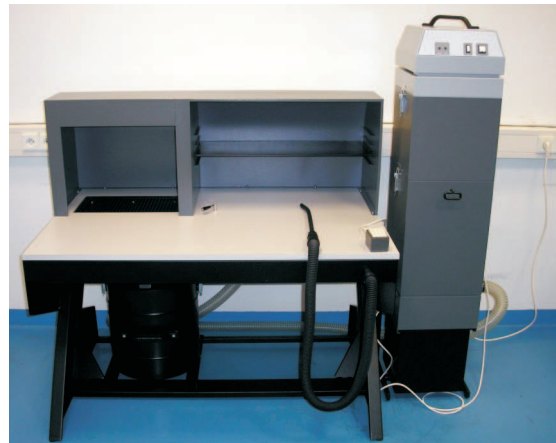
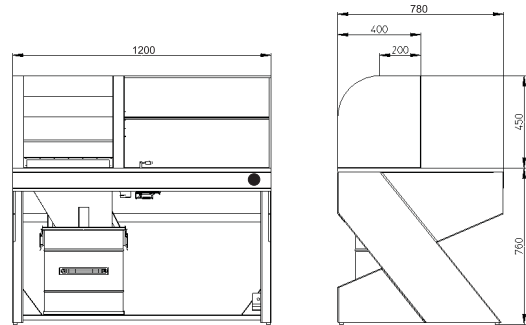
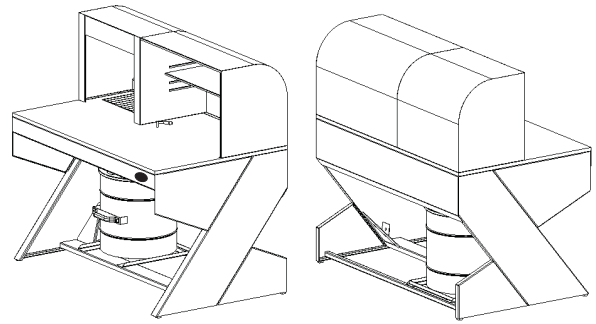
Helper of service centres and companies put mind to recycling of toner cartridges. Make fast work and reduce dustiness in the workplace. On the left part of the table is hake to discharge of waste toner from cartridges. Suction slot behind the hake suck off stour.

In lower part is barrel for waste toner. For easier manipulation with toner you can put plastic sack into this barrel .

In the right part of the table is place for dismounting and moutange of cartridges and for sucking off the leftover toner through the use of rubber flex neck with hose too. In the middle of the table is lever to switching of sucking (hake/hose).

Place at the rear of the table is intended for putting off the material and tools.

Proportions W x D x H (mm) 1200 x 780 x 760 (1210 including cover)
Weight (kg) 80



VACUUM KANTE 12

Vacuum is serving for joining the Worktable KANTE as well as for separate vacuuming too.

Cheap operation, doesn't demand exchange of filter after every filling of collecting vessel.

Vacuum is composed of this parts:

Case of engine: engine 1200W, cooling circuit, operating and directing elements, service cable and cable of remote control with switch.

Hepa Filter

Textile filter with scalling down

Waste collecting vessel: you can put plastic sack into this collecting vessel for easier manipulation with toner.

Wattage (W)	1200
Max. flow value of air (m ³ /h)	185
Max. underpressure (kPa)	23
Avarage suction (mm)	50
Proportions W x D x H (mm)	320 x 320 x 1520
Weight (kg)	42